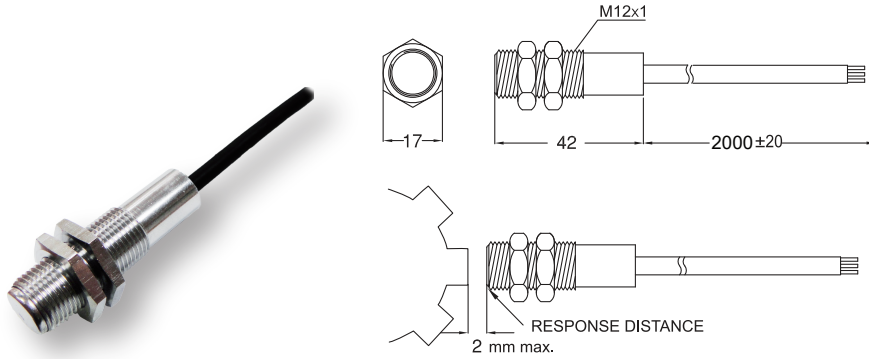


Gear Tooth Sensor

■ Dimensions



■ Specifications

MODEL	KT-22
Connect Diagram	
Characteristics	
Wiring Method	3-Wire Type
Switching Logic	Solid State Output, Normally Open
Sensor Type	NPN Current Sinking
Operating Voltage	3.5~24 VDC
Switching Current	25 mA. max.
Contact Rating *1	0.6 W max.
Current Consumption	7 mA @24V DC max.
Voltage Drop	0.6V @25mA max.
Leakage Current	0.01 mA max.
Indicator	---
Cable	φ4.5, 3C, PVC
Response Frequency	50K Hz
Response Distance	2 mm max.
Temperature Range	-10~70°C
Shock *2	50 G
Vibration *3	9 G
Enclosure Classification	IEC 529 IP 67
Protection Circuit *5	2

NOTE :

1. **WARNING :** Never exceed rating (watt=Voltage x Ampere). Permanent damage to sensor will occur.
2. Sine wave / X, Y, Z 3 Directions / 3 times each direction / 11 ms each time.
3. Double amplitude 1.5 mm / 10Hz~55Hz~10Hz (Sweep 1 min) / X, Y, Z 3 directions / 1 hour each time.
- 4/ 1=None / 2=Short-circuit / 3=Power Source Reverse polarity / 4=Surge Suppression

■ Application

